

Sauna control unit EMOTEC HCS 9003 DL/DB

For Finnish sauna and humidity operation.
Optional for Coloured light control and humidity sensor.

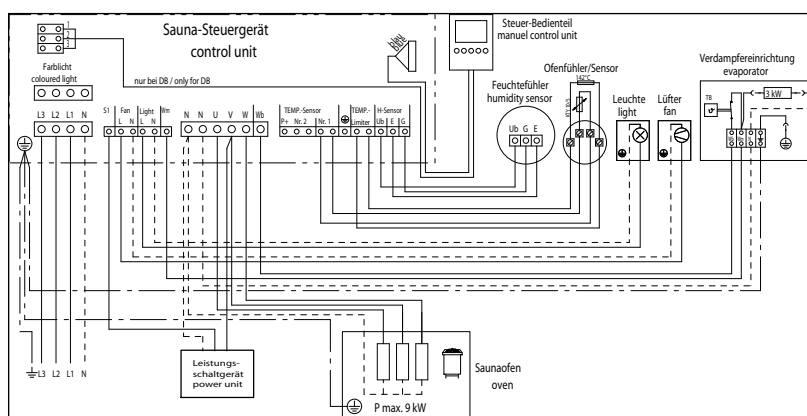
- Casing: injection moulded plastic upper and lower part
- Control buttons: raised, with epoxy abrasion protection
- Display: jumbo LCD display with high contrast backlighting
- Control: digital two-point control
- Heating time shut-off: 6 hours
12 hours or unlimited for commercial use
- Humidity control: proportional to time or optional with humidity sensor (ArtNo. 90.9479 or 944286)
- Reheating: 0 - 60 mins after humidity program
- Water level monitoring: automatic shut down after 2 mins lack of water



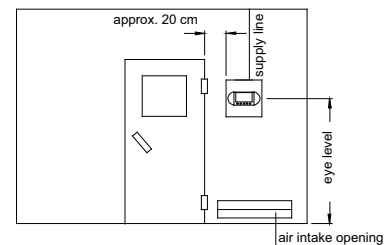
Coloured light operation: max. 4 x 100W (optional with module for coloured light control, ArtNo. 94.2761)
Temperature and humidity preselection, fault signalling. Connection for dimmable cabin light and fan. Safety temperature limiter 142 °C. Light and fan are fuse-protected internally. With switch-off at the power pack (HCS 9003 DL) resp. at the terminal part (HCS 9003 DB).

The control unit consists of two parts connected by one (HCS 9000 DL) or two (HCS 9003 DB) control lines. The fig. shows only the terminal part. All electrical connections are made at the power pack.

Connection diagram

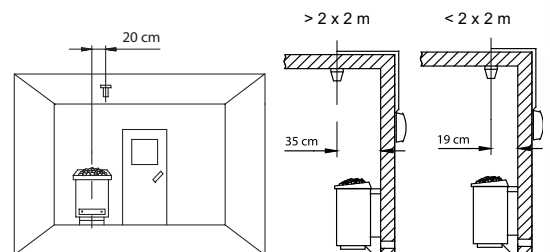


MADE IN GERMANY



Mounting the sensor

in cabins



Art.-No.	Electrical connection / capacity	Connection for power switch gear to max. 36 kW	Time preselection	Temperature control range in sauna operation	Heating time shut-off	Humidity control	Temperature control range in humidity operation	Switching on/off		Dimensions H/W/D in cm	Environmental temperatures	Weight without package approx.
								Cabin lighting	Ventilator			
94.4155 (DL) 94.4157 (DB)	400 V 3N AC 50 Hz max. 9 kW ohm resistive load, in humidity mode 6 kW + vaporizer 3 kW	yes	24 h in real time	30 - 110 °C	6 h 12 h unlimited	proportional to time from 0- 100 % optional with humidity sensor	30 - 70 °C	dimmmable 25 - 100 W max. 500 mA (only ohm resistive load)	controllable 25 - 100 W max. 500 mA (without starting capacitor)	Terminal 17/18/4 Power pack 24/23/7	-10°C to 35°C	Terminal 0,45 kg Power pack 1,4 kg

Subject to technical modifications